

# Rana Bars

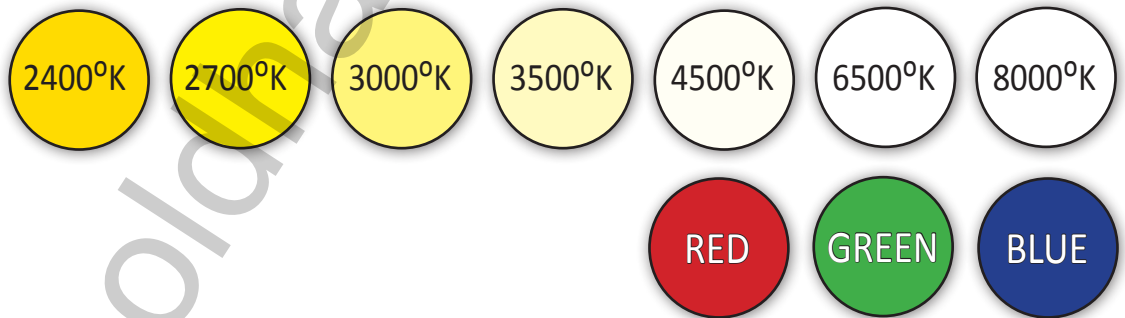
**Part No.** RLB-8.3

**Product** Rana-LED Bar with 8.3mm pitch

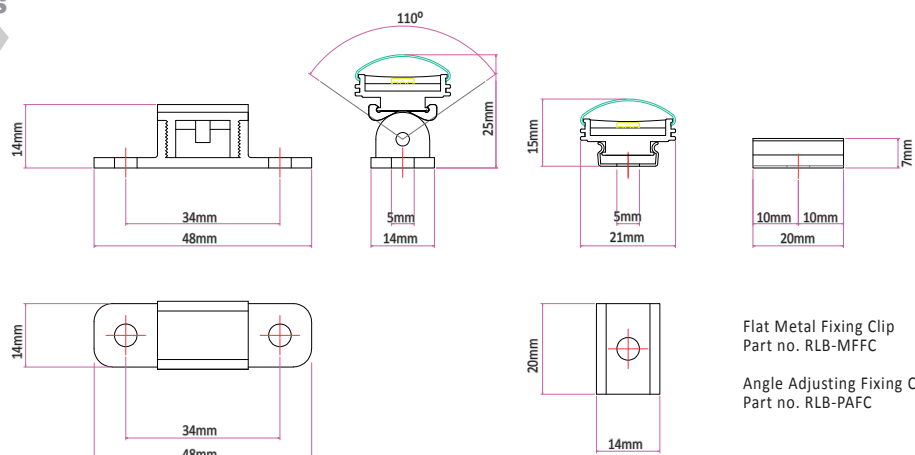
- Features**
- SMD 5050 Tri-Chip LEDs
  - Custom Lengths in multiples of 25mm PCB segment length up to 1 metre
  - Life expectancy of 50,000 hours
  - 3 year warranty
  - Excellent thermal management
  - Clear or Frosted diffuser cover
  - Available with IP20 or IP67 connectors
  - 120° beam angle
  - CE Certified
  - Ambient operating temperature of -30°C to +60°C

- Drivers**
- Compatible with our OLD-60D series (see page 48)

LED Spacing <b>8.3 mm</b>	Rating IP20 IP67	Power Consumption <b>28.8 watt/m</b>	Lumen Output 2040 lm (@8000°K) 1830 lm (@3000°K)	Voltage DC <b>12V 24V</b>
------------------------------	------------------------	---	--	----------------------------------



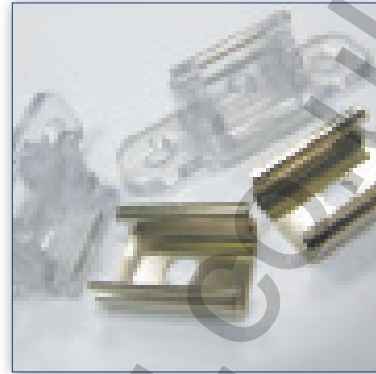
## Accessories





### Fixing Clips

RMB-PAFC (top, plastic)  
RMB-MFFC (lower, metal)



### Dimensions

